



Tailor-made GARAGE DOORS, Jewellery for your home

A garage door with a personal signature

Your home is beautiful, but possibly misses the finishing touch of an attractive and practical garage door. You are looking for a reliable and durable product that can be operated easily and safely as well as adding value to your property. But mainly a garage door that is made based to your personal wishes and that is in complete harmony with your home.

Every garage door that leaves our factory is built to order.

We offer you the choice of an extensive range of doors manufactured from quality materials, in a variety of styles, surface textures and designs. You can combine them to your heart's content. The colour of your garage door can also be chosen to match your taste and the appearance of your home. Thanks to the door's construction, you can use the volumetric space in your garage to it's optimum.

Our garage doors meet the most stringent European guidelines in the area of safety and durability. For

decades, our doors, in a wide range of applications and in changing weather conditions (temperature, wind and water), have provided reliable and easy to operate access to the interior. From Norway and Great Britain to, for instance, Germany and Spain.

Using this brochure you can work with us to determine the specifications of your door. For you as well, we will be happy to make an affordable and exclusive garage door that completely meets your individual wishes.

Contents

A garage door with a personal signature	Page	2
10 Year Royal Guarantee	Page	3
Safety above everything	Page	4
High-Line, elegant class	Page	6
Wood-Line, from the best 'wood'	Page	10
Design-Line, architectural statement	Page	12
Top-Line, ultimate creative freedom	Page	14
Options and accessories	Page	16
Guide rail systems, the silent strength	Page	17
Technical data	Page	19

10 Year Royal Guarantee

A garage door must be attractive and match the atmosphere of your home. Moreover, you want a door that is guaranteed to be durable and safe. That applies to the construction, the materials used and to all of the parts. We guarantee the best quality.

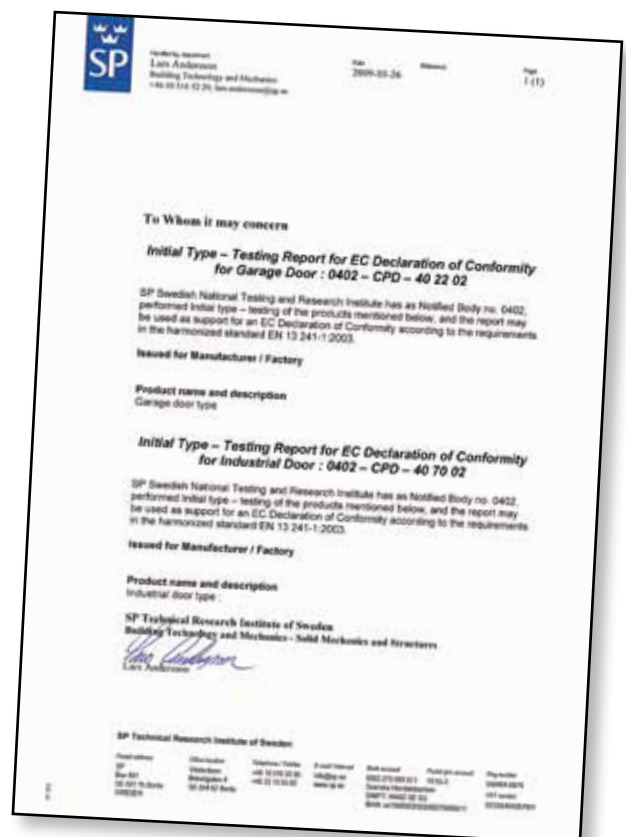
Only high-quality and durable materials are used in the fabrication of our garage doors. They are inspected and certified by the foundation for facade element quality -SKG. Of course, our doors also conform to the European EN 13241-1 standard, which is obligatory for CE marking.

We manufacture every garage door professionally and to specification and it is thoroughly checked before delivery.

Therefore we give a full 10 year manufacturer's guarantee on your entire door. Including the parts that can wear, such as: torsion springs, lifting cables, hinges and rollers. The clear conditions that apply to this guarantee are available on request.

ROYAL GUARANTEE

Only the king of doors has a Royal Guarantee





DESIGN-LINE ANTRA

Safety first

Safety in and around your home is important. Therefore, safety is the prime consideration for the construction and operation of our garage doors.

Your garage door must operate reliably for years and be safe and easy to use. It goes without saying that you must also be able to lock the door.

Finger protection

All doors in our product range have finger guards as standard. These guards are a statutory requirement that prevent your fingers being pinched between the panels when opening and closing the door.



Spring break safety device

Our doors are fitted as standard with the statutory spring break safety device. This ensures that in unforeseen situations the door cannot suddenly close, which could cause damage or unsafe situations.



Burglary protection

Unfortunately, burglary is a common occurrence. It is therefore important that your garage door is secure. The locks on our garage doors are inspected and certified by the foundation for facade element quality - SKG. The SKG quality mark is an important security aspect.

Anti-lift device

If your garage door is operated by an electric operator, it is automatically protected by an anti-lift device. The operator protects your door from being lifted by generating resistance when someone tries to open the door by hand.

Safety edge

Our electrically operated garage doors are equipped as standard with a force limiter. This ensures that in the event of slight resistance, from for instance your child or car, the door automatically opens.



DESIGN-LINE UMBRA 9006



High-Line, elegant class

For many people, the High-Line garage door provides the perfect combination of durability, functionality and class.

It is not without reason that the doors from the High-Line series are the most commonly sold doors in our product range. The series offers a wide range of surface structures and profiles, from modern to classical. Your door is made to measure and supplied in the colour you desire.



HIGH-LINE SMOOTH (HLV)



HIGH-LINE CASSETTE (HLC)

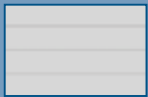
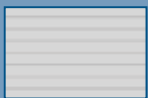
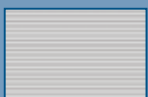
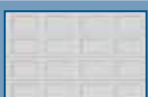


HIGH-LINE PLANK WOODGRAIN (HLP-W)

High-Line options palette

The basis of the High-Line garage door is formed by horizontal 40-mm steel sandwich panels with an insulating, fire-retardant foam core (CFC free). The panels join together almost seamlessly. The extra-thick steel skin is galvanised and coated for a long life.

All of these details give the door a robust appearance.

High-Line (HL)	Woodgrain (W)	Stucco (S)	Smooth (V)
	HLG/W	HLG/S	HLV
	HLP/W		HLP/V
	HLW	HLS	
	HLC		

You can give your High-line garage door your own style with the panels from the High-Line options palette. Each panel has a unique character, structure and surface texture.

As standard, the door is delivered with a durable white top coat. Of course, your door can also be delivered in practically any other colour, so that it is in complete harmony with your house and its doors and windows.

High-Line options palette (HL)

Here you see the eight different types of door that are available within the High-Line Series. The palette consists of four types of panel combined with three panel surface textures.

Seals		
	Air (according to EN 12426)	Water (according to EN 12425)
High-Line-series	Class 3	Class 3
HL with windows	Class 2	Class 2
Wind load (tested in accordance with EN 12424)		
	Up to clear width = 2500mm	Up to clear width = 5000mm
High-Line-series	Class 5	Class 4
HL Cassette	Class 5	Class 3
HL with windows	Class 5	Class 3
Heat-insulation (according to EN 12428)		
High-Line-series	U= 0,6 W/ (m ² K)	





Wood-Line, from the best 'wood'

Would you prefer a garage door with an authentic warm wood look? And do you also want a door with the life and ease of maintenance of a steel garage door?

Then the Wood-Line series offers you a wide range of options. From completely classical with cassettes to exclusive and modern. You can hardly tell the Wood-Line panels from panels made of real wood and they give your home a refined, characterful appearance. However, they are as 'hard' as steel.

Wood-Line options palette (WL)

The basis of the Wood-Line garage door, just like the High-Line, is formed by 40-mm steel sandwich panels with an insulating, fire-retardant foam core (CFC free). The panels have various wood surface textures and tactile embossment. This gives the door the warm feeling and exclusive appearance of real wood. The extra-thick steel skin guarantees a long life. Moreover, the panels, unlike real wood, are more or less maintenance free.

Select your wood look from the options palette here. Timeless and smooth or classical and rustic. The choice is yours. We will manufacture your door to the size and in the style you desire.

Wood-Line (WL)	Woodgrain (W)	Smooth (V)
	WLG	WLV
		WLS WLS-D
		WLC



Seals		
	Air (according to EN 12426)	Water (according to EN 12425)
Wood-Line-series	Class 3	Class 3
WL with windows	Class 2	Class 2
Wind load (tested in accordance with EN 12424)		
	Up to clear width = 2500mm	Up to clear width = 5000mm
Wood-Line-series	Class 5	Class 4
WL Cassette	Class 5	Class 3
WL with windows	Class 5	Class 3
Heat-insulation (according to EN 12428)		
Wood-Line-series	U= 0,6W/ (m2K)	





Design-Line, architectural statement

Are you looking for a garage door with a special appearance, then consider our Design-Line series. The steel skin of the 40-mm thick sandwich panels used in this line is available in various designs: Umbra, Antra and Nature. Each with its own character. From modern and trendy to natural and timeless. With a Design-Line garage door, you make an architectural statement and add a special touch to your home.

Design-Line Umbra

The pronounced pattern of lines and embossment (microprofiling) of the Design-Line Umbra gives your garage door a striking appearance. The Umbra is available as standard in four colours: RAL-9006, RAL-9007, RAL-9010 (white) and RAL-7016.

Design-Line Antra

The Design-Line Antra is finished in an attractive anthracite colour and has an extraordinary texture. It gives the garage door a modern appearance, in perfect keeping with the latest trends and architectural styles.

Design-Line Nature

If you are looking for a tranquil, natural appearance for your garage door, then the Nature design offers an alternative to the Wood-Line. The extraordinary silver-coloured surface texture of this design has an irregular pattern division that ensures a fresh and surprisingly natural appearance.





Top-Line, ultimate creative freedom

The Top-Line garage door is a reliable and durable aluminium door, with a wide range of options. The Top-Line offers you the ultimate freedom to create your personal design. The garage door is constructed from a maintenance-free aluminium frame, which you can fill with a variety of panels and/or glazing of your own choice.

This can give your garage door a surprisingly different appearance.

Unlimited possibilities

The aluminium frame of the Top-Line garage door can be filled with a wide variety of panels. By combining transparent and blank panels, you can create a completely personal style. Both the section height and width can be chosen to optimally match your garage resulting in everything blending extremely well together.

Moreover, the range of colours that is available for the frame and panels is almost unlimited and can be separately selected.

The Top-Line series offers you the optimum creative freedom. Together we can design a quality door that in its appearance, colour and field division is in total harmony with your home. We have the knowledge, skills and production facilities to also meet the more complex

Seal		
	Air (according to EN 12426)	Water (according to EN 12425)
Top-Line-series	Class 3	Class 3
Wind load (tested in accordance with EN 12424)		
	Up to clear width = 2500mm	Up to clear width = 5000mm
Top-Line-series	Class 5	Class 5
U-value		
Top-Line-series	2,7	

individual wishes. Top Line sections can also be used as glazed sections in both the High Line and the Wood Line series. Using these panels, you not only enhance the appearance of your door, but you also allow additional light to enter your garage.



Options and accessories

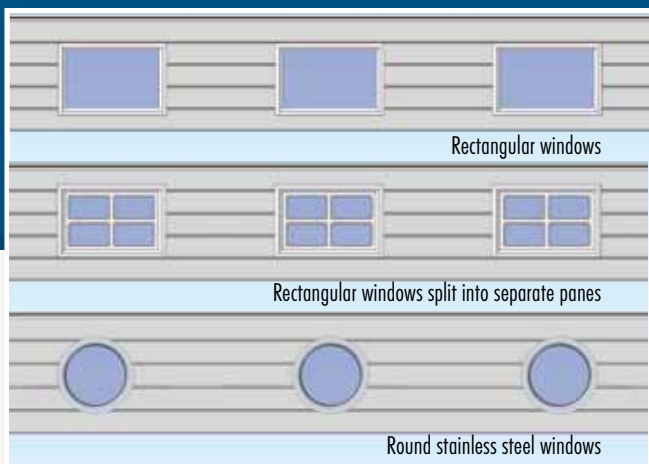
Our garage doors can be fitted with the options or accessories shown below. Of course, all of the options and accessories we offer have been extensively tested for functionality and durability.

Simple operation

The garage door can be operated manually or by means of an electric operator. We will be pleased to advise you.

Colour options

As standard, all our doors are supplied with a durable white top coat. If you would prefer another colour, that is of course not a problem. The range of colours is almost unlimited. We would be pleased to inform you about the extensive range of colours on offer.

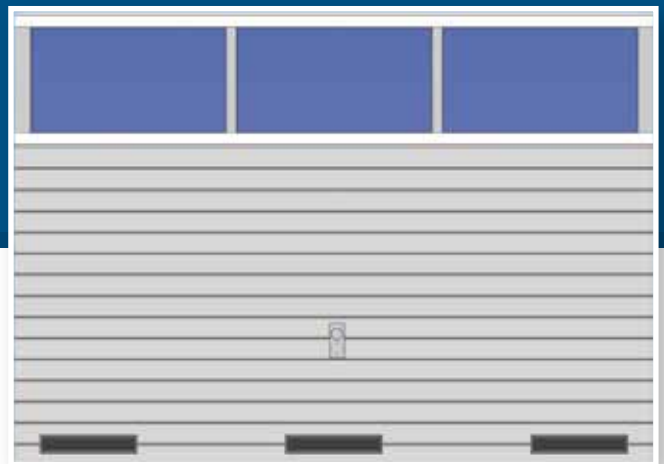


Rectangular windows

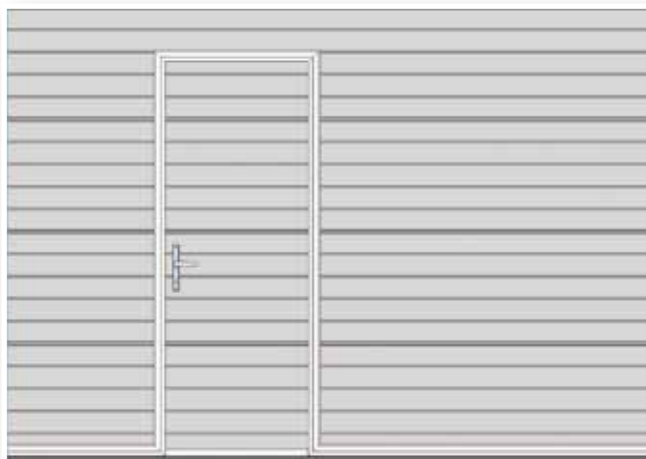
Rectangular windows split into separate panes

Round stainless steel windows

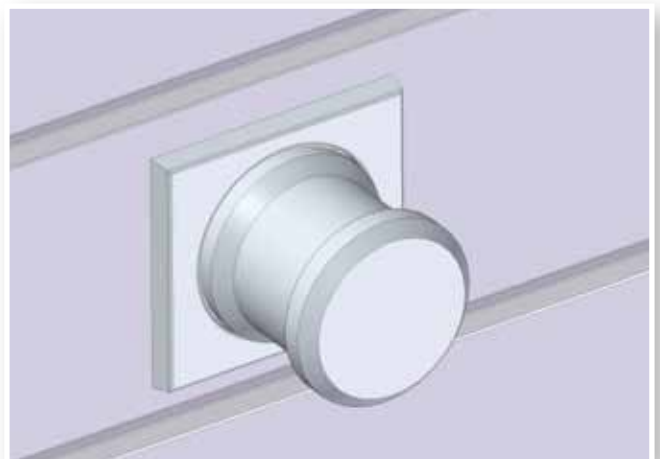
VARIOUS TYPES OF WINDOWS



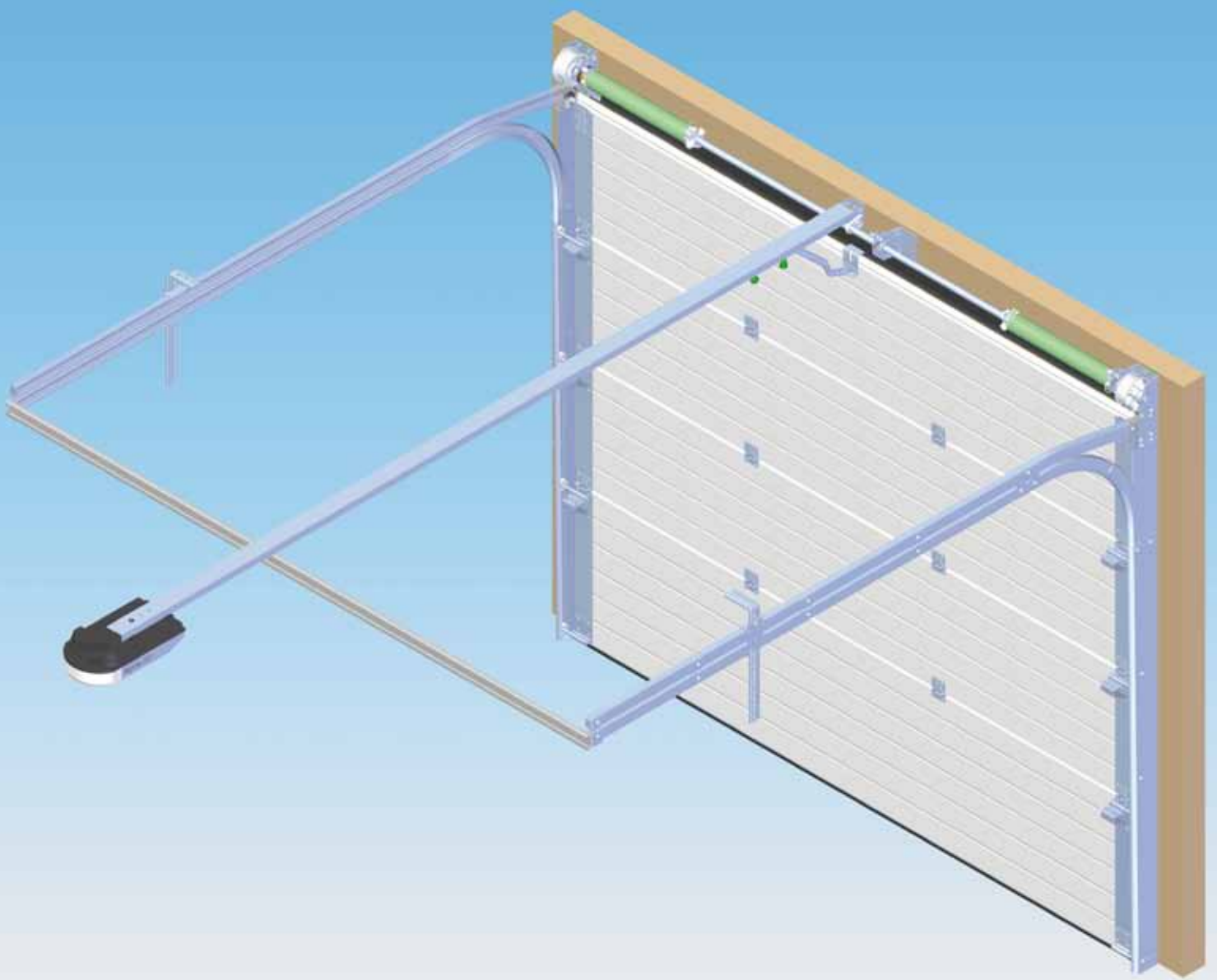
TOP-LINE SECTIONS CAN BE USED IN NEARLY ALL DOORS. DOOR INCLUDING THREE VENTILATION GRILLS.



PASS DOOR WITH LOWERED THRESHOLD.



DE LUXE HANDLE IN BLACK OR METALLIC



Guide rail systems, the silent strength

A guide rail system is used for opening and closing your garage door. Just like your garage door, this system is always made to measure. The quality and stability of the rail set determines to a large degree the life of your overhead door. Therefore, we have consciously chosen to use innovatively constructed rails. The railsets are manufactured from high-quality galvanised steel.

Innovative guide rail systems

To be able to offer a quality system for every installation situation, we use a universal guide rail system (G200) and two guide rail systems for special situations.

Universal guide rail system (G200)

All of our guide rail systems and garage doors are constructed in such a way that the door rolls up and down vertically. The door does not protrude forward, in contrast to a solid tilting door. As a result, you can always use the space in front of and behind the garage door optimally. For the G200, we require a top clearance of 200 mm above the door opening. All of our guide rail systems use galvanised torsion springs, which for the G200 are located directly above the door.

For minimum clearance height (G100)

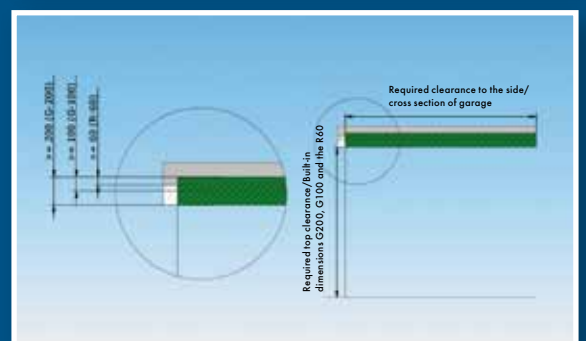
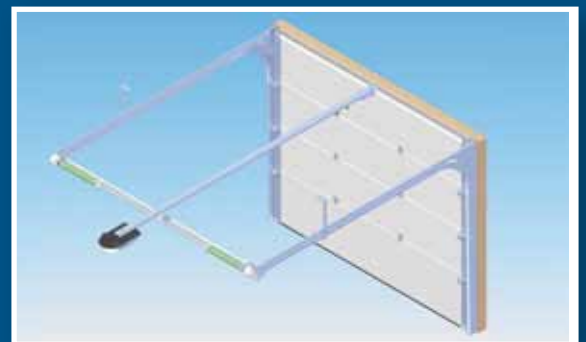
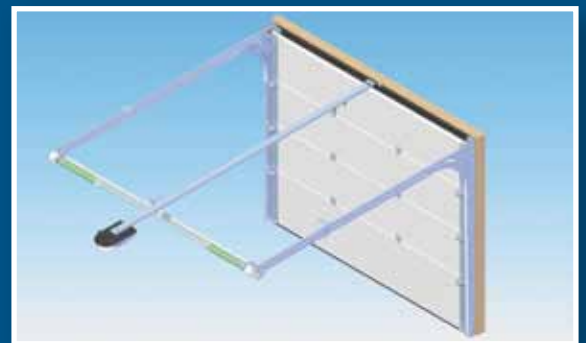
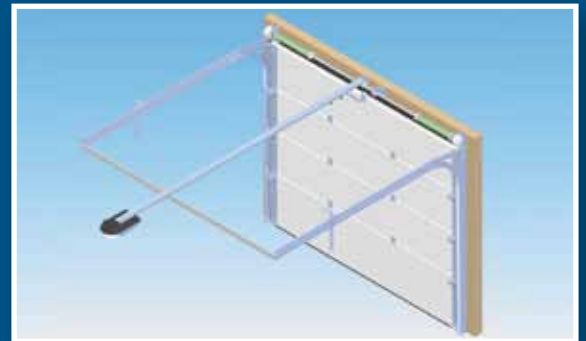
Is the clearance limited for the installation of your new garage door? This does not need to be a problem. The G100 guide rail system only requires a top clearance of 100 mm, above the door opening. The torsion springs of the G100 are located at the end of the horizontal rails. Similar to the G200 and the R60, the guide rail system has a very stable design, enabling us to guarantee a long life.

Replacing old tilting doors (R60)

The R60 guide rail system is pre-eminently suitable for replacing an old uninsulated tilting garage door. The system is designed in such a way that no structural changes are required to install the new garage door. The R60 only requires 60 mm of top clearance. The R60 is only supplied complete with a electric operator.

Required top clearance

Here is an overview of the required top clearance. This information allows you to rapidly see which of the three guide rail systems fits in your garage. For a top clearance of 200 mm or more, we always recommend the G200 guide rail system. We always need 85 mm of free room to both sides.



Smart technology

To allow your garage door to run even smoother and quieter through the guide rail system, we have made several innovations.

Moreover, the 30 mm-wide sealing rubbers provide a perfect seal.

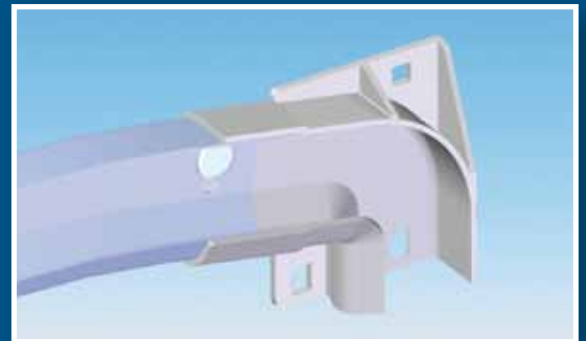
Smart-Connection®

A good example of this smart technology is our patented Smart-Connection®. The Smart-Connection® forms the transition between the horizontal and the vertical rails. This innovative solution makes the door almost silent and less susceptible to wear.



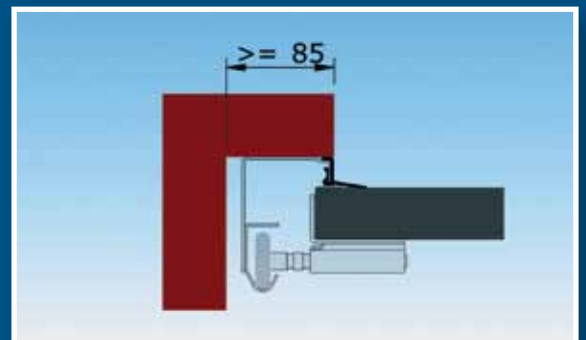
Aluminium curve

We use an aluminium curve as standard in the guide rail system. This high-quality material gives the curve a perfect fit and prevents premature wear. Here as well we have chosen the best quality solution.



Reliable seal

The garage door must keep out wind and water. Therefore, our doors are fitted with a 30-mm wide flexible EPDM rubber seal. The width and flexibility of the seal guarantees a reliable closure and perfectly protects your garage from draught and moisture under varying weather conditions.



Galvanised torsion springs

The torsion springs are a very important part of your garage door. Therefore, we always use at least two and sometimes even four springs for large doors. Torsion springs balance your garage door and are therefore indispensable. We only use galvanised torsion springs, to ensure that corrosion does not stand a chance.





**Every garage door that leaves our factory is built to order.
The production processes are fully automated, while retaining flexibility.
Accurately programmed machines guarantee exact dimensioning
and check the processes to the millimetre.
Of course, we only use high-quality materials in our production process.**

After all, quality and custom-made solutions are our standard.